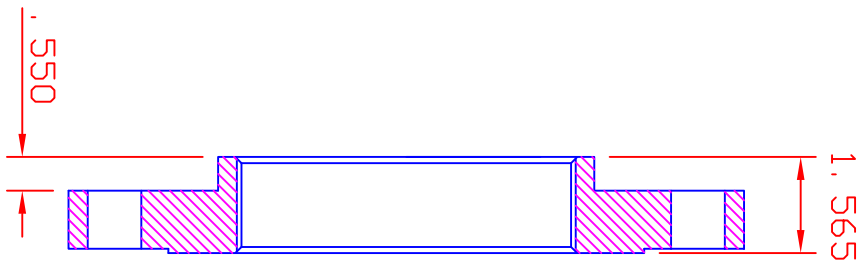
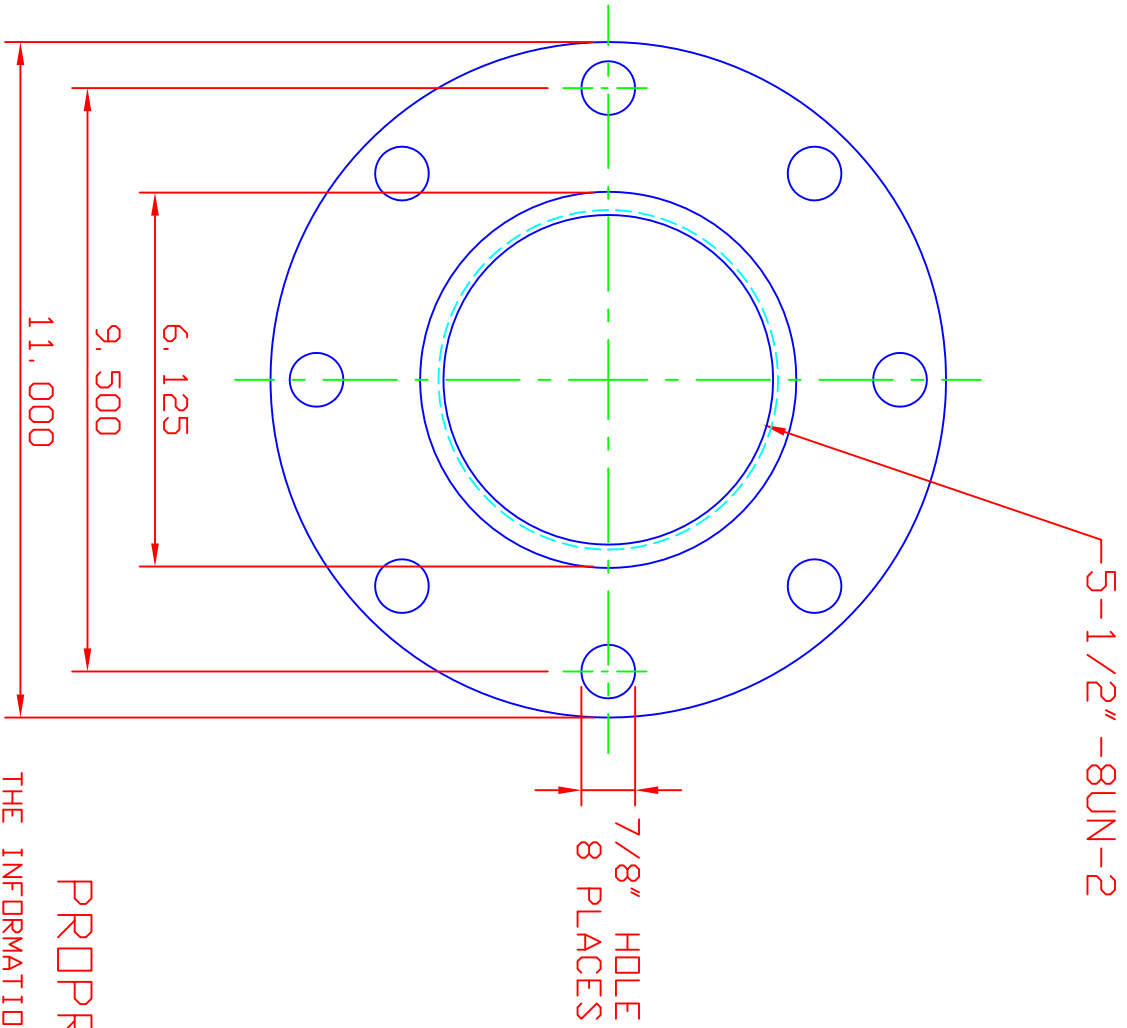


FLANGE DESCRIPTION	NONE
DATE	PART NO.
11/25/03	105/SA105
105/SA105	ASTM03/ASME04
	MATERIAL



PROPRIETARY DATA

THE INFORMATION OR DATA CONTAINED HEREIN IS PROPERTY OF WESTERN VALVE, INC. AND IS NOT TO BE COPIED, REPRODUCED, DUPLICATED OR DISCLOSED TO OTHERS, IN WHOLE OR IN PART WITHOUT THE PRIOR WRITTEN CONSENT OF WESTERN VALVE, INC.

5500-FLANGE

WESTERN VALVE

DRAWING NO.

114 E. 46th Amarillo, Texas 79105 P.O. Box 2446 806-373-6811 fax 806-373-5971